

# Wind Energy

## Adhesive & Sealants

Permabond products are relied upon to produce eco-friendly wind energy. Permabond manufactures a full line of adhesive chemistries that have been trusted in gear boxes and motors used in almost every industry for decades. Permabond Engineering Adhesives prides itself with our ability to work with engineers in virtually every industry to streamline production with energy saving adhesive processes. We will even custom formulate to meet exacting unique requirements.

**Permabond has proudly helped industries save energy for over 50 years.  
Now we are pleased to help you create it.**



The performance and consistent quality of Permabond products have made them the products of choice for...

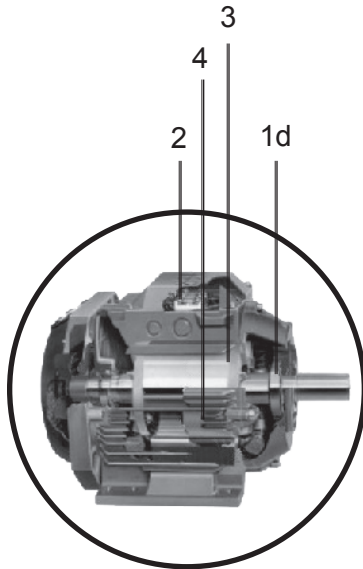
- Retaining
- Threadlocking
- Gasketing
- Tacking
- Potting
- Sealing
- Magnet bonding
- Structural bonding

**"Our Science . . . Your Success"**

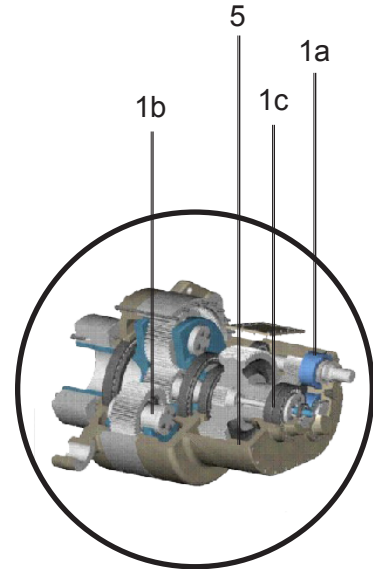
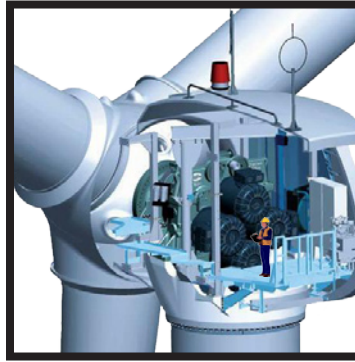
[www.permabond.com](http://www.permabond.com)

**Permabond**<sup>®</sup>  
Engineering Adhesives

## Sub Assemblies



Generator

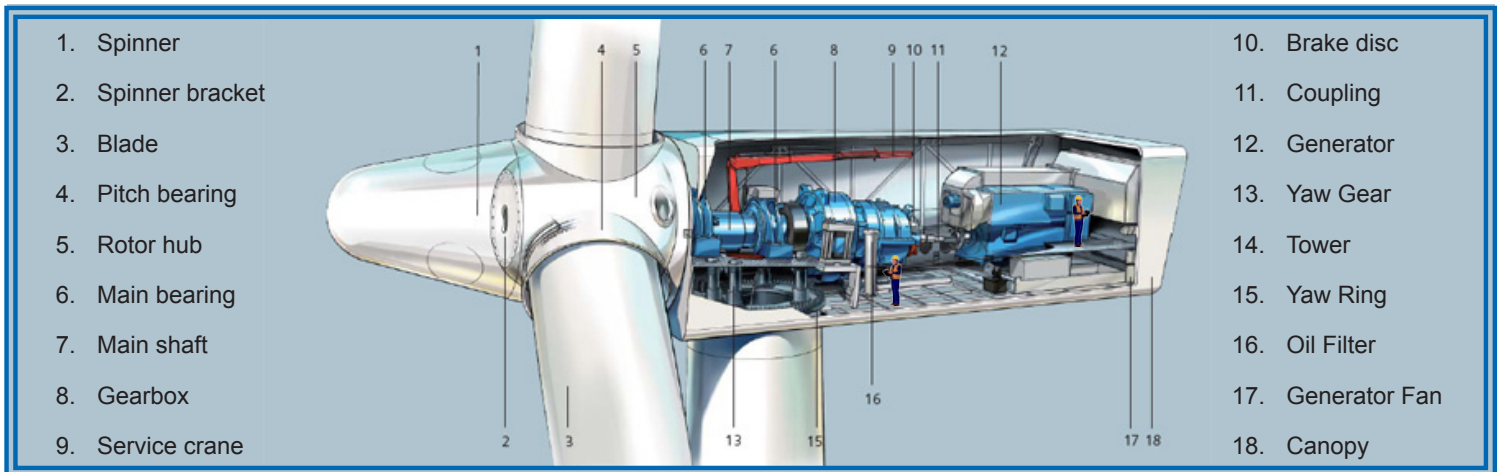


Gearbox

The products listed below meet the industry specific demands of wind energy applications, including; high strength anaerobic sealing compounds, structural acrylic motor magnet adhesives, and gap filling epoxies. For additional applications see the full product line at [www.permabond.com](http://www.permabond.com) or contact technical support for product recommendations or custom formulations.

Application		Feature
<b>Retaining - Anaerobic Retaining Compounds</b>		
1a	Retaining High Speed Shaft Bearing	Permabond's high performance anaerobic formulations provide 100% surface-to-surface contact while mechanical joining techniques provide only 20% of surface-to-surface contact. The resulting surface area increase allows for a greater load carrying capacity, more than 5 times that of mechanical joining techniques. Anaerobic retaining compounds eliminate the need for heated joining processes providing more efficient processing. Product selection is based on gap fill required and temperature resistance needed.
1b	Retaining Planet Bearing	
1c	Retaining Intermediate Shaft Bearing	
1d	Retaining Rolling Bearings to Shaft	
<b>Threadlocking</b>		
Various	Locking Threads on All Fasteners	Locking fasteners prevent loosening due to vibration. Permanent, removable, high strength, and high temperature resistant grades are available in various viscosities to suit application requirements.
<b>Gasketing</b>		
Various	Flange Sealing	MH199 - High strength/high viscosity form in place gasket (Gasketmakers®) seals flanges. MH199 is high temperature resistant and very thixotropic. It is easily removed for maintenance or repair and is ideal for sealing housings.
5	Sealing Gear Box Housing	
<b>Tacking, Potting, Sealing</b>		
2	Wire Connection Sealing	Two part epoxies seal and support connections.
Various	Sealing Grommets	Cyanoacrylates bond/seal grommets. Permabond 102 is a popular choice.
2	Wire Tacking in Connection Box	Cyanoacrylates quickly tack wires. Choose Permabond 268 for high speed assembly or low odor, low bloom Permabond 947 for manual applications.
<b>Motor Magnet Bonding</b>		
3	Bonding Magnets to Rotor	Surface activated acrylics provide fast cure, efficient no mix process, high strength, and temperature resistance. Non-corrosive TA459 is generally the product of choice.
4	Bonding Magnets to Stator	
<b>Other Structural Bonds</b>		
Various	Bonding Mounting Brackets	Mounting brackets, braces, and housings all require high strength durable bonds. Epoxies and Structural Acrylics are selected based on individual requirements.

# Final Assembly



Product	Application	Feature
<b>HH190</b>	Hub Mounting Disc / Rotor Locking Disc	<p>Permabond HH190 is a purple, high viscosity, high strength, flange sealant that prevents corrosion. Permabond HH190 conforms to the shape of the flange allowing 100% surface-to-surface contact. It is non-shimming, resulting in uniform stress distribution and eliminates the need for re-torquing.</p> <p>Permabond HH190 provides seal up to 5000psi with excellent vibration, chemical and shock resistance, and is removable with hand tools.</p>
	Disc Brake Assembly Mounting Surface / Gear Box Case	
	Yaw Drive Motor / Yaw Wind Direction Control Gear	
	Impact Noise Insulation Mounts / Generator Mounting Frame	
	Yaw Drive Bearing / Yaw Gear	
<b>MM115 /A1042*</b>	Threaded fasteners / machinery within the canopy	<p>Permabond MM115 is a blue, removable, general purpose threadlocker which prevents loosening due to vibration. Because MM115 prevents corrosion, removal is possible with ordinary tools and is often easier than removing fasteners without sealant.</p>
	Threaded fasteners / support frame section of the Down Tower Assembly	
	Threaded fasteners / between the front and rear main frame structures	
<b>ET540</b>	Bonding blades	<p>Permabond ET540 is a two component epoxy with a 2:1 mix ratio for ease of assembly. ET540 has excellent temperature and chemical resistance and forms high strength bonds with gap fill capabilities to 5mm.</p>
<b>HM162/ A118*</b>	Friction Brake Units / Yaw Body	<p>Permabond HM162 is a green, fast curing, high temperature resistant retaining compound that provides 100% surface-to-surface contact, increasing the joint load carrying capacity over 5 times that of mechanical joining methods.</p>

\* MM115 & HM162 are available in The Americas and Asia - A1042 and A118 are available in Europe and ROW.

# Contact US

The experienced team of Permabond chemists is on hand to help you with custom formulations and fulfilling your technical data requests.



Permabond's sales engineers are available to assess your production line and find the best possible turnkey adhesive solution that will result in production efficiencies.

[www.permabond.com](http://www.permabond.com)

- **US Helpline - 800-640-7599**
  - **UK - 0800 975 9800**
  - **Asia + 86 21 5773 4913**
  - **Americas +1 732 868 1372**
- **General Enquiries +44(0)1962 711661**
- **Deutschland 0800 101 3177**
- **France 0805 111 388**

[info.europe@permabond.com](mailto:info.europe@permabond.com)

[info.americas@permabond.com](mailto:info.americas@permabond.com)

[info.asia@permabond.com](mailto:info.asia@permabond.com)



## Permabond Worldwide

Wherever your manufacturing or R&D site may be located, Permabond representatives can be called upon to assist you. We have an extensive network of trained distributors worldwide.



Non-warranty: The information given and the recommendations made herein are based on our research and are believed to be accurate but no guarantee of their accuracy is made. In every case we urge and recommend that purchasers before using any product in full scale production make their own tests to determine to their own satisfaction whether the product is of acceptable quality and is suitable for their particular purposes under their own operating conditions. No representative of ours has any authority to waive or change the foregoing provisions but, subject to such provisions, our engineers are available to assist purchasers in adapting our products to their needs and to the circumstances prevailing in their business. Nothing contained herein shall be construed to imply the nonexistence of any relevant patents or to constitute a permission, inducement or recommendation to practice any invention covered by any patent, without authority from the owner of this patent. We also expect purchasers to use our products in accordance with the guiding principle of the Chemical Manufacturers Association's Responsible Care® program.